



Post Office Box 1789
Amarillo, Texas 79105
2401 Sundown Lane (79118)
Ph. 806 622 1273
Fax 806 622 3258

Revision date 02/01/2011

Instructions for Using Parts Price List for Single Reduction Fan Drives

1. These parts lists are for current production models from the model 65 - 175 and A20 - A27.
Contact Amarillo Gear Company for prices for optional parts, and parts for special rotation gear drives.
2. To make sure you get the correct parts, always provide the serial number of the gear drive when ordering parts.
3. A general single reduction fan drive drawing is provided for parts identification.
4. Prices are subject to change without notice.

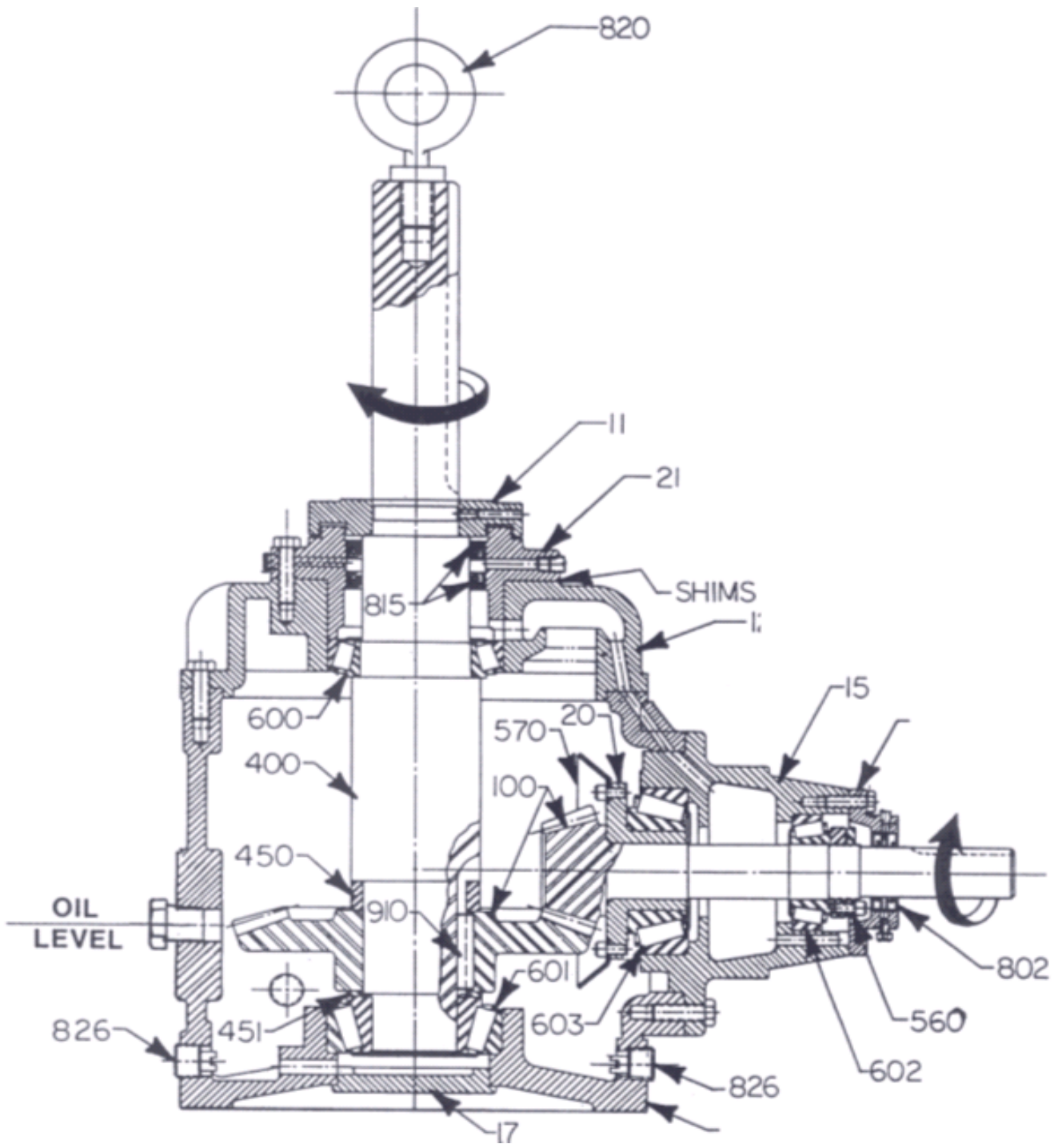
SRP 09/09



A member of The Marmon Group of companies

Copyright ©2003 Amarillo Gear Co.

SRP 11/08





**Amarillo
Gear
Company
LLC**

Post Office Box 1789
Amarillo, Texas 79105
2401 Sundown Lane (79118)
Ph. 806 622 1273
Fax 806 622 3258

Prices effective 02/01/2011. Subject to Change without Notice

Model 65A* Parts Price List			
Ref. No.	Part No.	Description	Price
10	F1-10	Gear Case	470.00
11	F1-11	Upper Seal Plate	120.00
12	F1-12	Vertical Carrier	242.00
15	F1-15A	Horizontal Carrier	197.00
16	F1-16A	Horizontal Seal Plate	74.80
17	F2-17B	Bottom Plug	27.10
18	F1-18	Inspection Plate	36.00
20	F1-20A	Bearing Bushing	82.20
21	F1-21	Vert Seal Carrier	130.00
400	21035	Output Shaft	268.00
422	N/A	Gear Mount	
450	450-65	Above Gear Spacer	29.60
451	451-65	Under Gear Spacer	29.60
560	2-N06/1-W06	Horiz Locknut Set	9.20
570	21010	Oil Slinger	31.30
+600	JLM104910/48	Vert Upper Bearing	25.70
+601	55437/187C	Vert Lower Bearing	71.90
+602	M86610/49	Horiz Outer Bearing	26.00
+603	HM88610/48	Horiz Inner Bearing	25.70
+802	SH 65	Standard Horiz Seal Set - CR Seal #9837, qty 2	14.00
+815	SV 65	Standard Vertical Seal Set - Nat'l Seal #450279, qty 2	41.20
820	3/4 X 1-1/4	Eye Bolt	14.20
823	M 313650	Breather Plug	14.40
+824	SM 65	Vertical Shim Set	7.60
+825	G 65	Gasket Set (below S/N 231989)	8.80
	51531	Loctite Gasket Sealant 50ml tube (S/N 231989 & above)	30.50
826	PP .375SQ	Oil Drain Plug	0.31
910	MK 7498-1	Gear Key	12.00
---	P1030-3	Oil Level Sight Gauge	15.10
+100	100	Spiral Bevel Gear Set, ratios 2.5:1 thru 4.5:1	961.00
+100	100	Spiral Bevel Gear Set, ratios 2:1, 5:1	1150.00
---	---	Labor Net	460.00
---	---	Oil and Paint Net	100.00

* For Model 65 part prices contact factory

+Recommended Spare Parts

MINIMUM ORDER VALUE - \$100.00 NET.

SOME PART NUMBERS DETERMINED BY RATIO AND/OR OPTIONAL FEATURES. ALWAYS PROVIDE SERIAL NUMBER OF DRIVE WHEN ORDERING PARTS FOR VERIFICATION.



**Amarillo
Gear
Company
LLC**

Post Office Box 1789
Amarillo, Texas 79105
2401 Sundown Lane (79118)
Ph. 806 622 1273
Fax 806 622 3258

Prices effective 02/01/2011. Subject to Change without Notice

Model 85 Parts Price List			
Ref. No.	Part No.	Description	Price
10	F2-10	Gear Case	608.00
11	F2-11	Upper Seal Plate	78.10
12	F2-12	Vertical Carrier	257.00
15	F2-15	Horizontal Carrier	204.00
16	F2-16A	Horizontal Seal Plate	32.80
17	F2-17B	Bottom Plug	27.10
18	S-18	Inspection Plate	31.10
20	F2-20	Bearing Bushing	77.50
21	F2-21	Vert Seal Carrier	130.00
400	22009	Output Shaft	298.00
422	N/A	Gear Mount	
450	450-85	Above Gear Spacer	20.40
451	451-85	Under Gear Spacer	20.40
560	1231	Horiz Locknut Set	34.60
570	22008	Oil Slinger	34.60
+600	JLM710910/49	Vert Upper Bearing	64.40
+601	JHM807012/45	Vert Lower Bearing	81.30
+602	25821/77	Horiz Outer Bearing	29.90
+603	JHM807012/45	Horiz Inner Bearing	81.30
+802	SH 85	Standard Horiz Seal Set - CR Seal #12456, qty 2	15.00
+815	SV 85	Standard Vertical Seal Set - CR Seal #24897, qty 2	25.20
820	3/4 X 1-1/4	Eye Bolt	14.20
823	M 313650	Breather Plug	14.40
+824	SM 85	Vertical Shim Set	36.60
+825	GC 85	Gasket Set-Complete (below S/N 231989)	9.50
	51531	Loctite Gasket Sealant 50ml tube (S/N 231989 & above)	30.50
826	PP .5SQ	Oil Drain Plug	0.42
910	MK 7498-2	Gear Key	4.70
---	M AS240	O-ring for F2-21	4.70
---	P1030-4	Oil Level Sight Gauge	12.30
+100	100	Spiral Bevel Gear Set, ratios 3.25:1 thru 6:1	1050.00
+100	100	Spiral Bevel Gear Set, ratios 3:1, 6.5:1	1260.00
---	---	Labor Net	380.00
---	---	Oil and Paint Net	52.00

+Recommended Spare Parts

MINIMUM ORDER VALUE - \$100.00 NET.

SOME PART NUMBERS DETERMINED BY RATIO AND/OR OPTIONAL FEATURES. ALWAYS PROVIDE SERIAL NUMBER OF DRIVE WHEN ORDERING PARTS FOR VERIFICATION.



**Amarillo
Gear
Company
LLC**

Post Office Box 1789
Amarillo, Texas 79105
2401 Sundown Lane (79118)
Ph. 806 622 1273
Fax 806 622 3258

Prices effective 02/01/2011. Subject to Change without Notice

Model 110 Parts Price List			
Ref. No.	Part No.	Description	Price
10	F3-10A	Gear Case	851.00
11	F3-11	Upper Seal Plate	84.60
12	F3-12	Vertical Carrier	341.00
15	F3-15A	Horizontal Carrier	217.00
16	F3-16A	Horizontal Seal Plate	47.20
17	F4-17	Bottom Plug	30.10
18	E-18	Inspection Plate	19.20
20	F3-20	Bearing Bushing	84.40
21	F4-21	Vert Seal Carrier	140.00
400	23009	Output Shaft	494.00
422	N/A	Gear Mount	
450	450-110	Above Gear Spacer	24.40
451	451-110	Under Gear Spacer	24.40
560	2230	Horiz Locknut Set	35.70
570	23008	Oil Slinger	38.10
+600	LM814810/49	Vert Upper Bearing	75.10
+601	H715311/45	Vert Lower Bearing	129.00
+602	332/6	Horiz Outer Bearing	53.40
+603	H913810/42	Horiz Inner Bearing	164.00
+802	SH 110	Standard Horiz Seal Set - CR Seal #15141, qty 2	16.80
+815	SV 110	Standard Vertical Seal Set - CR Seal #29871, qty 2	33.20
820	3/4 X 1-1/4	Eye Bolt	14.20
823	M 313650	Breather Plug	14.40
+824	SM 110	Vertical Shim Set	36.60
+825	GC 110	Gasket Set-Complete (below S/N 231989)	10.40
	51531	Loctite Gasket Sealant 50ml tube (S/N 231989 & above)	30.50
826	PP .75HX	Oil Drain Plug	2.60
910	MK 7498-3	Gear Key	7.70
---	M AS245	O-ring for F-21	4.70
---	P1030-4	Oil Level Sight Gauge	12.30
+100	100	Spiral Bevel Gear Set, ratios 3.5:1, 4:1 thru 8:1	1510.00
+100	100	Spiral Bevel Gear Set, ratio 3.75:1	1810.00
---	---	Labor Net	440.00
---	---	Oil and Paint Net	60.00

+Recommended Spare Parts

MINIMUM ORDER VALUE - \$100.00 NET.

SOME PART NUMBERS DETERMINED BY RATIO AND/OR OPTIONAL FEATURES. ALWAYS PROVIDE SERIAL NUMBER OF DRIVE WHEN ORDERING PARTS FOR VERIFICATION.



**Amarillo
Gear
Company
LLC**

Post Office Box 1789
Amarillo, Texas 79105
2401 Sundown Lane (79118)
Ph. 806 622 1273
Fax 806 622 3258

Prices effective 02/01/2011. Subject to Change without Notice

Model 135 Parts Price List			
Ref. No.	Part No.	Description	Price
10	F4-10A	Gear Case	1140.00
11	F4-11	Upper Seal Plate	89.50
12	F4-12	Vertical Carrier	410.00
15	F4-15B	Horizontal Carrier	428.00
16	F4-16A	Horizontal Seal Plate	56.90
17	F4-17	Bottom Plug	30.10
18	E-18	Inspection Plate	19.20
20	F4-20	Bearing Bushing	141.00
21	F4-21	Vert Seal Carrier	140.00
400	24009	Output Shaft	563.00
422	F4-22	Gear Mount	244.00
450	450-135	Above Gear Spacer	26.10
451	451-135	Under Gear Spacer	26.10
560	3268	Horiz Locknut Set	52.50
570	24008	Oil Slinger	47.50
+600	LM814810/49	Vert Upper Bearing	75.10
+601	H715311/45	Vert Lower Bearing	129.00
+602	JM205110/49	Horiz Outer Bearing	56.60
+603	HH814510/47	Horiz Inner Bearing	661.00
+802	SH 135	Standard Horiz Seal Set - CR Seal #18733, qty 2	24.00
+815	SV 135	Standard Vertical Seal Set - CR Seal #29871, qty 2	33.20
820	3/4 X 1-1/4	Eye Bolt	14.20
823	M 313650	Breather Plug	14.40
+824	SM 135	Vertical Shim Set	36.60
+825	GC 135	Gasket Set-Complete (below S/N 231989)	11.00
	51531	Loctite Gasket Sealant 50ml tube (S/N 231989 & above)	30.50
826	PP .75HX	Oil Drain Plug	2.60
910	MK 7498-4	Gear Key	6.10
---	M AS245	O-ring for F4-21	4.70
---	P1030-4	Oil Level Sight Gauge	12.30
+100	100	Spiral Bevel Gear Set, ratios 4:1, 4.5:1 thru 8:1, 9:1	1890.00
+100	100	Spiral Bevel Gear Set, ratio 8.5:1	2270.00
---	---	Labor Net	500.00
---	---	Oil and Paint Net	80.00

+Recommended Spare Parts

MINIMUM ORDER VALUE - \$100.00 NET.

SOME PART NUMBERS DETERMINED BY RATIO AND/OR OPTIONAL FEATURES. ALWAYS PROVIDE SERIAL NUMBER OF DRIVE WHEN ORDERING PARTS FOR VERIFICATION.



**Amarillo
Gear
Company
LLC**

Post Office Box 1789
Amarillo, Texas 79105
2401 Sundown Lane (79118)
Ph. 806 622 1273
Fax 806 622 3258

Prices effective 02/01/2011. Subject to Change without Notice

Model 155 Parts Price List			
Ref. No.	Part No.	Description	Price
10	F6-10	Gear Case	1520.00
11	F5-11	Upper Seal Plate	141.00
12	F6-12	Vertical Carrier	596.00
15	F5-15	Horizontal Carrier	619.00
16	F6-16A	Horizontal Seal Plate	71.60
17	F5-17	Bottom Plug	59.00
18	E-18	Inspection Plate	19.20
20	F5-20	Bearing Bushing	256.00
21	F6-21	Vert Seal Carrier	296.00
400	26009	Output Shaft	748.00
422	F6-22	Gear Mount	404.00
450	450-155	Above Gear Spacer	42.80
451	451-155	Under Gear Spacer	42.80
560	3268	Horiz Locknut Set	52.50
570	24008	Oil Slinger	47.50
+600	JM718110/49	Vert Upper Bearing	95.50
+601	9321/80	Vert Lower Bearing	289.40
+602	JHM807012/45	Horiz Outer Bearing	81.30
+603	9321/80	Horiz Inner Bearing	289.40
+802	SH 155	Standard Horiz Seal Set - CR Seal #18733, qty 2	24.00
+815	SV 155	Standard Vertical Seal Set - CR Seal #34888, qty 2	51.80
820	3/4 X 1-1/4	Eye Bolt	14.20
823	M 313650	Breather Plug	14.40
+824	SM 155	Vertical Shim Set	41.70
+825	GC 155	Gasket Set-Complete (below S/N 231989)	10.60
	51531	Loctite Gasket Sealant 50ml tube (S/N 231989 & above)	30.50
826	PP .75HX	Oil Drain Plug	2.60
910	MK 7498-5	Gear Key	7.80
---	M AS253	O-ring for F6-21	4.70
---	P1030-4	Oil Level Sight Gauge	12.30
+100	100	Spiral Bevel Gear Set, ratios 5:1 thru 8.5:1	3120.00
+100	100	Spiral Bevel Gear Set, ratio 9:1	3740.00
---	---	Labor Net	580.00
---	---	Oil and Paint Net	90.00

+Recommended Spare Parts

MINIMUM ORDER VALUE - \$100.00 NET.

SOME PART NUMBERS DETERMINED BY RATIO AND/OR OPTIONAL FEATURES. ALWAYS PROVIDE SERIAL NUMBER OF DRIVE WHEN ORDERING PARTS FOR VERIFICATION.



**Amarillo
Gear
Company
LLC**

Post Office Box 1789
Amarillo, Texas 79105
2401 Sundown Lane (79118)
Ph. 806 622 1273
Fax 806 622 3258

Prices effective 02/01/2011. Subject to Change without Notice

Model 175 Parts Price List			
Ref. No.	Part No.	Description	Price
10	F5-10	Gear Case	1890.00
11	F5-11	Upper Seal Plate	141.00
12	F5-12	Vertical Carrier	948.00
15	F5-15	Horizontal Carrier	619.00
16	F6-16A	Horizontal Seal Plate	71.60
17	F5-17	Bottom Plug	59.00
18	E-18	Inspection Plate	19.20
20	F5-20	Bearing Bushing	256.00
21	F5-21	Vert Seal Carrier	296.00
400	25009	Output Shaft	828.00
422	L22 3.75	Gear Mount	428.00
450	450-175	Above Gear Spacer	48.70
451	451-175	Under Gear Spacer	48.70
560	3268	Horiz Locknut Set	52.50
570	24008	Oil Slinger	47.50
+600	JM718110/49	Vert Upper Bearing	95.50
+601	9321/80	Vert Lower Bearing	289.40
+602	JHM807012/45	Horiz Outer Bearing	81.30
+603	9321/80	Horiz Inner Bearing	289.40
+802	SH 175	Standard Horiz Seal Set - CR Seal #18733, qty 2	24.00
+815	SV 175	Standard Vertical Seal Set - CR Seal #34888, qty 2	51.80
820	3/4 X 1-1/4	Eye Bolt	14.20
823	M 313650	Breather Plug	14.40
+824	SM 175	Vertical Shim Set	41.70
+825	GC 175	Gasket Set-Complete (below S/N 231989)	10.60
	51531	Loctite Gasket Sealant 50ml tube (S/N 231989 & above)	30.50
826	PP .75HX	Oil Drain Plug	2.60
910	MK 7498-5	Gear Key	7.80
---	M AS253	O-ring for F5-21	4.70
---	P1030-4	Oil Level Sight Gauge	12.30
+100	100	Spiral Bevel Gear Set, ratios 6:1 thru 9.5:1	3550.00
+100	100	Spiral Bevel Gear Set, ratio 5.5:1	4260.00
---	---	Labor Net	690.00
---	---	Oil and Paint Net	120.00

+Recommended Spare Parts

MINIMUM ORDER VALUE - \$100.00 NET.

SOME PART NUMBERS DETERMINED BY RATIO AND/OR OPTIONAL FEATURES. ALWAYS PROVIDE SERIAL NUMBER OF DRIVE WHEN ORDERING PARTS FOR VERIFICATION.



Prices effective 02/01/2011. Subject to Change without Notice

Model A20 Parts Price List			
Ref. No.	Part No.	Description	Price
10	MF2-10	Gear Case	1160.00
11	MF2-11	Upper Seal Plate	259.00
12	F2-12	Vertical Carrier	257.00
15	F2-15	Horizontal Carrier	204.00
16	F2-16A	Horizontal Seal Plate	32.80
18	N/A	Inspection Plate	
20	F2-20	Bearing Bushing	77.50
21	MF2-21	Vertical Seal Carrier	236.00
100	100	Spiral Bevel Gear Set	1140.00
400	29006	Output Shaft	517.00
422	N/A	Gear Mount	
450	450-A20	Above Gear Spacer	17.30
451	451-A20	Under Gear Spacer	17.30
560	1231	Horiz Locknut Set	34.60
570	22008	Oil Slinger	34.60
600	JLM710910/49	Vert Upper Bearing	64.40
601	JHM807012/45	Vert Lower Bearing	81.30
602	25821/77	Horiz Outer Bearing	29.90
603	JHM807012/45	Horiz Inner Bearing	81.30
802	SH A20	Standard Horiz Seal Set - CR Seal #12456, qty 2	15.00
815	SV A20	Standard Vertical Seal Set - CR Seal #24897, qty 2	25.20
820	3/4 X 1-1/4	Eye Bolt	14.20
823	M313650	Breather Plug	14.40
824	SM A20	Vertical Shim Set	36.60
825	G A20	Gasket Set (below S/N 231989)	4.20
	51531	Loctite Gasket Sealant 50ml (S/N 231989 & above)	30.50
826	PP .5M	Oil Drain Plug	6.30
910	MK 7498-2	Gear Key	4.70
---	N/A	Horizontal Shim Set	
---	M AS140	Seal Plate O-ring	1.00
---	N/A	Seal Carrier O-ring	
---	N/A	MF3-16 O-ring	
---	N/A	MF3-15 O-ring	
---	---	Labor Net	460.00
---	---	Oil and Paint Net	100.00

+Recommended Spare Parts

MINIMUM ORDER VALUE - \$100.00 NET.

SOME PART NUMBERS DETERMINED BY RATIO AND/OR OPTIONAL FEATURES. ALWAYS
PROVIDE SERIAL NUMBER OF DRIVE WHEN ORDERING PARTS FOR VERIFICATION.



Prices effective 02/01/2011. Subject to Change without Notice

Model A22 Parts Price List			
Ref. No.	Part No.	Description	Price
10	MF3-10	Gear Case	1440.00
11	MF3-11	Upper Seal Plate	183.00
12	MF3-12	Vertical Carrier	390.00
15	MF3-15	Horizontal Carrier	312.00
16	MF3-16	Horizontal Seal Plate	89.90
18	N/A	Inspection Plate	
20	N/A	Bearing Bushing	
21	MF3-21	Vertical Seal Carrier	225.00
100	100	Spiral Bevel Gear Set	2280.00
400	27008	Output Shaft	666.00
422	F4-22	Gear Mount	244.00
450	450-A22	Above Gear Spacer	26.10
451	451-A22	Under Gear Spacer	26.10
560	2230	Horiz Locknut Set	35.70
570	MF3-20	Oil Slinger	95.20
600	34306/492A	Vert Upper Bearing	104.00
601	78551/250	Vert Lower Bearing	158.80
602	3820/77	Horiz Outer Bearing	49.30
603	72487/188C	Horiz Inner Bearing	96.50
802	13568	Standard Horiz Seal -CR Seal	12.40
815	SV M3	Standard Vertical Seal Set - CR Seal #29871, qty 2	33.20
820	E .5 X 1.5	Eye Bolt	19.80
823	M313650	Breather Plug	14.40
824	SMV M3	Vertical Shim Set	37.10
825	N/A	Gasket Set	
826	PP .75MHH	Oil Drain Plug	7.30
910	MK 7498-4	Gear Key	6.10
---	SMH M3	Horizontal Shim Set	51.20
---	M AS334	Seal Plate O-ring	1.00
---	M AS247	Seal Carrier O-ring	4.00
---	M AS155	MF3-16 O-ring	4.00
---	M AS358	MF3-15 O-ring	4.70
---	---	Labor Net	600.00
---	---	Oil and Paint Net	100.00

+Recommended Spare Parts

MINIMUM ORDER VALUE - \$100.00 NET.

SOME PART NUMBERS DETERMINED BY RATIO AND/OR OPTIONAL FEATURES. ALWAYS
PROVIDE SERIAL NUMBER OF DRIVE WHEN ORDERING PARTS FOR VERIFICATION.



Prices effective 02/01/2011. Subject to Change without Notice

Model A27 Parts Price List			
Ref. No.	Part No.	Description	Price
10	MF4-10	Gear Case	2430.00
11	MF4-11	Upper Seal Plate	264.00
12	MF4-12	Vertical Carrier	863.00
15	F5-15	Horizontal Carrier	619.00
16	F6-16A	Horizontal Seal Plate	71.60
18	E-18	Inspection Plate	19.20
20	F5-20	Bearing Bushing	256.00
21	MF4-21	Vertical Seal Carrier	296.00
100	100	Spiral Bevel Gear Set	4250.00
400	28009	Output Shaft	958.00
422	L22 3.75	Gear Mount	428.00
450	450-A27	Above Gear Spacer	48.70
451	451-A27	Under Gear Spacer	48.70
560	3268	Horiz Locknut Set	52.50
570	24008	Oil Slinger	47.50
600	JM718110/49	Vert Upper Bearing	95.50
601	9321/80	Vert Lower Bearing	289.40
602	JHM807012/45	Horiz Outer Bearing	81.30
603	9321/80	Horiz Inner Bearing	289.40
802	SH A27	Standard Horiz Seal Set - CR Seal #18733, qty 2	24.00
815	SV A27	Standard Vertical Seal Set - CR Seal #34888, qty 2	51.80
820	3/4 X 1-1/4	Eye Bolt	14.20
823	M313650	Breather Plug	14.40
824	SM A27	Vertical Shim Set	41.70
825	G A27	Gasket Set (below S/N 231989)	6.40
	51531	Loctite Gasket Sealant 50ml tube (S/N 231989 & above)	30.50
826	PP .75MHH	Oil Drain Plug	7.30
910	MK 7498-5	Gear Key	7.80
---	N/A	Horizontal Shim Set	
---	M AS337	Seal Plate O-ring	1.20
---	M AS161	Seal Carrier O-ring	9.20
---	N/A	MF3-16 O-ring	
---	N/A	MF3-15 O-ring	
---	---	Labor Net	800.00
---	---	Oil and Paint Net	140.00

+Recommended Spare Parts

MINIMUM ORDER VALUE - \$100.00 NET.

SOME PART NUMBERS DETERMINED BY RATIO AND/OR OPTIONAL FEATURES. ALWAYS
PROVIDE SERIAL NUMBER OF DRIVE WHEN ORDERING PARTS FOR VERIFICATION.