



**Amarillo
Gear
Company
LLC**

Post Office Box 1789
Amarillo, Texas 79105
2401 Sundown Lane (79118)
Ph. 806 622 1273
Fax 806 622 3258

Revision date 02/01/2011

Instructions for Using Parts Price List for Double Reduction Fan Drives

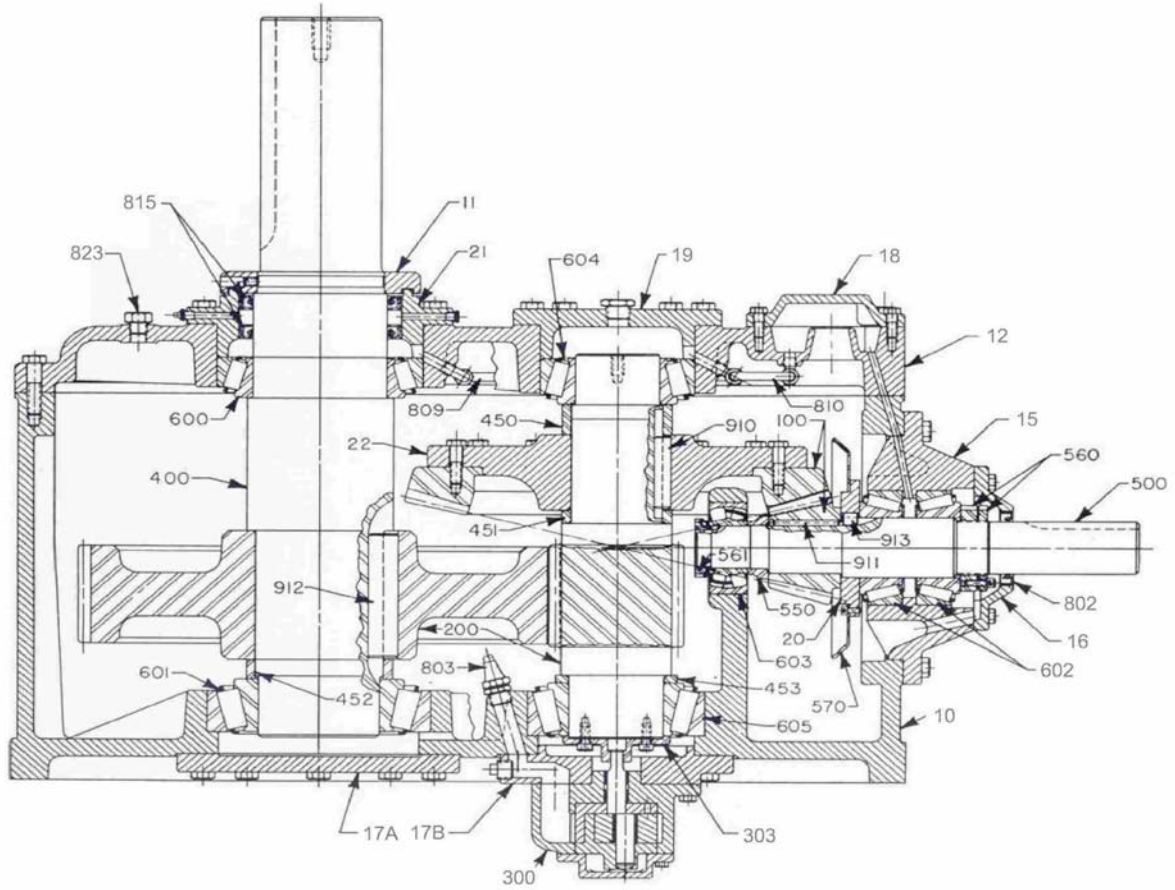
1. These parts lists are for current production models from the model 1008-1814 and A32 - A38.
Contact Amarillo Gear Company for prices for optional parts, and parts for special rotation gear drives.
2. To make sure you get the correct parts, always provide the serial number of the gear drive when ordering parts.
3. A general double reduction fan drive drawing is provided for parts identification.
4. Prices are subject to change without notice.



A member of The Marmon Group of companies

Copyright ©2003 Amarillo Gear Co.

Figure 1 - Double Reduction Gear Drive Typical Cross-Section





Post Office Box 1789
 Amarillo, Texas 79105
 2401 Sundown Lane (79118)
 Ph. 806 622 1273
 Fax 806 622 3258

Prices effective 02/01/2011. Subject to Change without Notice

Model 1008 Parts Price List			
Ref. No.	Part No.	Description	Price
10	D1-10	Gear Case and	4920.00
12	D1-12	Cover	
11	D1-11	Upper Seal Plate	152.00
15	D1-15	Horiz. Carrier	461.00
16	F4-16A	Horiz. Seal Plate	56.90
17B	D1-17BM	Lower Brg Cover-Interm	92.20
17A	D1-17AM	Lower Brg Cover-Output	87.20
18	D1-18	Cover Plate	142.00
19	D1-19	Upper Brg Cover-Interm	130.00
20	D1-20	Oil Slinger Plate	164.00
21	D1-21	Vertical Seal Carrier	233.00
22	N/A	Vertical Gear Mount	
	L18B	Inspection Plate	70.10
+100	100	Spiral Bevel Gears, ratios 7.5 thru 10:1, 11, 12	2070.00
+100	100	Spiral Bevel Gears, ratios 10.5, 13, 14	2480.00
200G	397G	Helical Gear	2610.00
+200P	397P	Helical Pinion	868.00
400	31028	Vertical Output Shaft	952.00
450	450	Above Gear Spcr-Interm	21.90
451	451	Bet. Gear Spcr-Interm	21.90
452	452	Lower Gear Spcr-Output	73.80
453	453	Under Gear Spcr-Interm	21.90
500	500	Horizontal Shaft	666.00
550	N/A	Horiz Inner Brg Spacer	
560	3268	Horiz Brg Locknut Set	52.50
561	N/W-09	Horiz Gear Retainer	7.90
570	31027	Oil Slinger	50.60
+600	42587/381	Upper Bearing-Output	144.00
+601	598A/592A	Lower Bearing-Output	91.70
+602	JHM807012 JHM807045	Outer Bearing-Horiz	81.30
+603	65500 65225	Inner Bearing-Horiz	165.00
+604	553X/555S	Upper Bearing-Interm	118.00
+605	65500 65225	Lower Bearing-Interm	165.00
+802	SH 1008	Standard Horiz Oil Seal Set - CR Seal #18733, qty 2	24.00
+815	SV 1008	Standard Output Shaft Seal Set - National Seal #417504, qty 2	80.20
+823	M 313650	Breather Plug	14.40
**+824	SM 1008	Brg Shims-Output & Interm Shaft	136.00
+825	GC 1008	Gasket Set - Complete (below S/N 231989)	17.00
	51531	Loctite Gasket Sealant 2-50ml tubes (S/N 231989 & above)	60.90
**+826	*See Ref 824*		
	M AS255	O-ring for D1-21	5.00
	M AS246	O-ring for D1-19	5.00
836	N/A	Horizontal Carrier Oil Ring	
910	910-1008	Gear Key-Interm Shaft	3.00
911	911-1008	Gear Key-Horiz Shaft	1.80
912	MK 7498-6	Gear Key-Output Shaft	13.00
913	913-1008	Oil Slinger Key	1.80
300	2 RFD	Oil Pump	444.00
303	31025	Oil Pump Drive Plate	219.00
17M	D1-17MR1	Bottom Plug-Oil Pump	287.00
		Oil and Paint Net	240.00

+Recommended Spare Parts

MINIMUM ORDER VALUE - \$100.00 NET. REPAIR LABOR - \$95.00/HOUR

**Bearing Shims, Ref 824 Output Shaft & Ref 826 Intermediate Shaft, are now sold as 1 set only

SOME PART NUMBERS DETERMINED BY RATIO AND/OR OPTIONAL FEATURES. ALWAYS PROVIDE SERIAL NUMBER OF DRIVE WHEN ORDERING PARTS FOR VERIFICATION.



**Amarillo
Gear
Company
LLC**

Post Office Box 1789
Amarillo, Texas 79105
2401 Sundown Lane (79118)
Ph. 806 622 1273
Fax 806 622 3258

Prices effective 02/01/2011. Subject to Change without Notice

Model 1110 Parts Price List			
Ref. No.	Part No.	Description	Price
10	D2-10A	Gear Case and	5100.00
12	D2-12A	Cover	
11	D2-11	Upper Seal Plate	173.00
15	D2-15	Horiz. Carrier	477.00
16	F4-16A	Horiz. Seal Plate	56.90
17B	D2-17BM	Lower Brg Cover-Interm	110.00
17A	D2-17AM	Lower Brg Cover-Output	132.00
18	D2-18	Cover Plate	152.00
19	D2-19	Upper Brg Cover-Interm	140.00
20	D2-20A	Oil Slinger Plate	174.00
21	D2-21	Vertical Seal Carrier	259.00
22	N/A	Vertical Gear Mount	
	L18B	Inspection Plate	70.10
+100	100	Spiral Bevel Gears, ratios 7.5, 8, 9.5 thru 13	2070.00
+100	100	Spiral Bevel Gears, ratios 8.5, 9, 14	2480.00
200G	396G	Helical Gear	3700.00
+200P	396P	Helical Pinion	1140.00
400	32028	Vertical Output Shaft	1340.00
450	450	Above Gear Spcr-Interm	34.50
451	451	Bet. Gear Spcr-Interm	34.50
452	452	Lower Gear Spcr-Output	79.80
453	453	Under Gear Spcr-Interm	34.50
500	500.00	Horizontal Shaft	708.00
550	N/A	Horiz Inner Brg Spacer	
560	3268	Horiz Brg Locknut Set	52.50
561	N/W-09	Horiz Gear Retainer	7.90
570	32025	Oil Slinger	52.60
+600	64700/450	Upper Bearing-Output	216.00
+601	71750/425	Lower Bearing-Output	384.00
+602	JHM807012 JHM807045	Outer Bearing-Horiz	81.30
+603	HH814510 HH814547	Inner Bearing-Horiz	661.00
+604	H414210/42	Upper Bearing-Interm	166.00
+605	HH814510 HH814547	Lower Bearing-Interm	661.00
+802	SH 1110	Standard Horiz Oil Seal Set -CR Seal #18733, qty 2	24.00
+815	SV 1110	Standard Output Shaft Seal Set - CR Seal #44959, aty 2	76.00
+823	M 313650	Breather Plug	14.40
**+824	SM 1110	Brg Shims-Output & Interm Shaft	159.00
+825	GC 1110	Gasket Set - Complete (below S/N 231989)	20.80
	51531	Loctite Gasket Sealant 2-50ml tubes (S/N 231989 & above)	60.90
**+826	*See Ref 824*		
	M AS363	O-ring for D2-21	8.60
	M AS251	O-ring for D2-19	7.60
836	N/A	Horizontal Carrier Oil Ring	
910	910-1110	Gear Key-Interm Shaft	3.00
911	911-1110	Gear Key-Horiz Shaft	1.80
912	MK 7498-7	Gear Key-Output Shaft	12.40
913	913-1110	Oil Slinger Key	1.80
300	2 RFD	Oil Pump	444.00
303	32027	Oil Pump Drive Plate	228.00
17M	D2-17MR	Bottom Plug-Oil Pump	368.00
		Oil and Paint Net	260.00

+Recommended Spare Parts

MINIMUM ORDER VALUE - \$100.00 NET. REPAIR LABOR - \$95.00/HOUR

**Bearing Shims, Ref 824 Output Shaft & Ref 826 Intermediate Shaft, are now sold as 1 set only

SOME PART NUMBERS DETERMINED BY RATIO AND/OR OPTIONAL FEATURES. ALWAYS
PROVIDE SERIAL NUMBER OF DRIVE WHEN ORDERING PARTS FOR VERIFICATION.



**Amarillo
Gear
Company
LLC**

Post Office Box 1789
Amarillo, Texas 79105
2401 Sundown Lane (79118)
Ph. 806 622 1273
Fax 806 622 3258

Prices effective 02/01/2011. Subject to Change without Notice

Model 1311 Parts Price List			
Ref. No.	Part No.	Description	Price
10	D3-10	Gear Case and	
12	D3-12	Cover	7240.00
11	D3-11	Upper Seal Plate	190.00
15	D3-15	Horiz. Carrier	491.00
16	D3-16A	Horiz. Seal Plate	103.00
17B	D3-17BM	Lower Brg Cover-Interm	139.00
17A	D2-17AM	Lower Brg Cover-Output	132.00
18	D2-18	Cover Plate	152.00
19	D3-19	Upper Brg Cover-Interm	174.00
20	33018	Oil Slinger Plate	279.00
21	D3-21	Vertical Seal Carrier	267.00
22	D3-22	Vertical Gear Mount	529.00
	L18B	Inspection Plate	70.10
+100	100	Spiral Bevel Gears, ratios 9 thru 10, 11 thru 14	3130.00
+100	100	Spiral Bevel Gears, ratios 8.5, 10.5, 17	3760.00
200G	398G	Helical Gear	3780.00
+200P	398P	Helical Pinion	1270.00
400	33028	Vertical Output Shaft	1730.00
450	450	Above Gear Spcr-Interm	56.40
451	451	Bet. Gear Spcr-Interm	56.40
452	452	Lower Gear Spcr-Output	101.00
453	453	Under Gear Spcr-Interm	56.40
500	500	Horizontal Shaft	854.00
550	550	Horiz Inner Brg Spacer	55.10
560	5237	Horiz Brg Locknut Set	77.60
561	N/W-08	Horiz Gear Retainer	6.90
570	32025	Oil Slinger	52.60
+600	48220/290	Upper Bearing-Output	204.00
+601	71750/425	Lower Bearing-Output	384.00
+602	2-H715345 2-H715311	Outer Bearing-Horiz	258.00
+603	22308C	Inner Bearing-Horiz	201.00
+604	742/749	Upper Bearing-Interm	214.60
+605	HH221410 HH221430	Lower Bearing-Interm	487.00
+802	SH 1311	Standard Horiz Oil Seal Set - CR Seal #24370, qty 2	38.00
+815	SV 1311	Standard Output Shaft Seal Set - CR Seal #49928, qty 2	91.60
+823	M 313650	Breather Plug	14.40
**+824	SM 1311	Brg Shims-Output & Interm Shaft	159.00
+825	GC 1311	Gasket Set - Complete (below S/N 231989)	22.80
	51531	Loctite Gasket Sealant 2-50ml tubes (S/N 231989 & above)	60.90
**+826	*See Ref 824*		
	M AS364	O-ring for D3-21	6.10
	M AS255	O-ring for D3-19	5.00
836	34152	Horizontal Carrier Oil Ring	59.00
910	MK 7501-5	Gear Key-Interm Shaft	5.10
911	911-1311	Gear Key-Horiz Shaft	1.80
912	MK 7498-8	Gear Key-Output Shaft	13.00
913	913-1311	Oil Slinger Key	1.80
300	HV 2379	Oil Pump, replaces AG530G	1240.00
303	33010	Oil Pump Drive Plate	258.00
17M	D3-17M	Bottom Plug-Oil Pump	372.00
		Oil and Paint Net	280.00

+Recommended Spare Parts

MINIMUM ORDER VALUE - \$100.00 NET. REPAIR LABOR - \$95.00/HOUR

**Bearing Shims, Ref 824 Output Shaft & Ref 826 Intermediate Shaft, are now sold as 1 set only

SOME PART NUMBERS DETERMINED BY RATIO AND/OR OPTIONAL FEATURES. ALWAYS
PROVIDE SERIAL NUMBER OF DRIVE WHEN ORDERING PARTS FOR VERIFICATION.



**Amarillo
Gear
Company
LLC**

Post Office Box 1789
Amarillo, Texas 79105
2401 Sundown Lane (79118)
Ph. 806 622 1273
Fax 806 622 3258

Prices effective 02/01/2011. Subject to Change without Notice

Model 1712 Parts Price List			
Ref. No.	Part No.	Description	Price
10	D410	Gear Case and	
12	D4-12	Cover	8690.00
11	D4-11	Upper Seal Plate	213.00
15	D4-15	Horiz. Carrier	648.00
16	D3-16A	Horiz. Seal Plate	103.00
17B	D4-17BM	Lower Brg Cover-Interm	139.00
17A	D4-17AM	Lower Brg Cover-Output	147.00
18	D4-18	Cover Plate	160.00
19	D4-19M	Upper Brg Cover-Interm	183.00
20	D4-20	Oil Slinger Plate	189.00
21	D4-21	Vertical Seal Carrier	331.00
22	D4-22 3.75	Vertical Gear Mount	687.00
	L18B	Inspection Plate	70.10
+100	100	Spiral Bevel Gears, ratios 9, 11 thru 16	4390.00
+100	100	Spiral Bevel Gears, ratios 9.5, 10.5, 17, 18	5270.00
200G	387G	Helical Gear	5510.00
+200P	387P	Helical Pinion	1840.00
400	34028	Vertical Output Shaft	1960.00
450	450	Above Gear Spcr-Interm	63.80
451	451	Bet. Gear Spcr-Interm	63.80
452	452	Lower Gear Spcr-Output	110.00
453	453	Under Gear Spcr-Interm	63.80
500	500.00	Horizontal Shaft	942.00
550	550	Horiz Inner Brg Spacer	79.00
560	5237	Horiz Brg Locknut Set	77.60
561	N/W-10	Horiz Gear Retainer	10.80
570	34022	Oil Slinger	54.00
+600	74850/550	Upper Bearing-Output	425.00
+601	95925/500	Lower Bearing-Output	655.00
+602	2-H715345	Outer Bearing-Horiz	258.00
	2-H715311		
+603	22310C	Inner Bearing-Horiz	236.00
+604	6535/6580	Upper Bearing-Interm	183.00
+605	HH421210	Lower Bearing-Interm	649.00
	HH421246		
+802	SH 1712	Horiz Oil Seal Set- CR Seal# 24370, Qty 2	38.00
+815	SV 1712	Output Shaft Seal Set- CR Seal# 54972, Qty 2	128.40
+823	M 313650	Breather Plug	14.40
**+824	SM 1712	Brg Shims-Output & Interm Shaft	179.00
+825	GC 1712	Gasket Set - Complete (below S/N 231989)	24.90
	51531	Loctite Gasket Sealant 2-50ml tubes (S/N 231989 & above)	60.90
**+826	*See Ref 824*		
	M AS369	O-ring for D4-21	15.40
	M AS258V	O-ring for D419M	14.70
836	34152	Horizontal Carrier Oil Ring	59.00
910	MK 7501-6	Gear Key-Interm Shaft	12.80
911	911-1712	Gear Key-Horiz Shaft	2.90
912	MK 7498-9	Gear Key-Output Shaft	32.30
913	913-1712	Oil Slinger Key	2.90
300	HV 2379	Oil Pump, replaces AG530G	1240.00
303	34025	Oil Pump Drive Plate	271.00
17M	D4-17MR	Bottom Plug-Oil Pump	380.00
		Oil and Paint Net	420.00

+Recommended Spare Parts

MINIMUM ORDER VALUE - \$100.00 NET. REPAIR LABOR - \$95.00/HOUR

**Bearing Shims, Ref 824 Output Shaft & Ref 826 Intermediate Shaft, are now sold as 1 set only

SOME PART NUMBERS DETERMINED BY RATIO AND/OR OPTIONAL FEATURES. ALWAYS PROVIDE SERIAL NUMBER OF DRIVE WHEN ORDERING PARTS FOR VERIFICATION.



Post Office Box 1789
 Amarillo, Texas 79105
 2401 Sundown Lane (79118)
 Ph. 806 622 1273
 Fax 806 622 3258

Prices effective 02/01/2011 Subject to Change without Notice

Model 1712.5 Parts Price List			
Ref. No.	Part No.	Description	Price
10	D4.510	Gear Case and	9560.00
12	D4-12	Cover	
11	D4-11	Upper Seal Plate	213.00
15	D5-15	Horiz. Carrier	687.00
16	D5-16A	Horiz. Seal Plate	152.00
17B	D4-17BM	Lower Brg Cover-Interm	139.00
17A	D4-17AM	Lower Brg Cover-Output	147.00
18	D4-18	Cover Plate	160.00
19	D4-19M	Upper Brg Cover-Interm	183.00
20	D4-20	Oil Slinger Plate	189.00
21	D4-21	Vertical Seal Carrier	331.00
22	D4-22 3.75	Vertical Gear Mount	687.00
	L18B	Inspection Plate	70.10
+100	100	Spiral Bevel Gears, ratios 11 thru 17	4390.00
+100	100	Spiral Bevel Gears, ratios 18, 19, 20	5270.00
200G	730G	Helical Gear	5510.00
+200P	730P	Helical Pinion	1840.00
400	34203	Vertical Output Shaft	1960.00
450	450	Above Gear Spcr-Interm	63.80
451	451	Bet. Gear Spcr-Interm	63.80
452	452	Lower Gear Spcr-Output	110.00
453	453	Under Gear Spcr-Interm	63.80
500	500	Horizontal Shaft	1070.00
550	550	Horiz Inner Brg Spacer	119.00
560	6217	Horiz Brg Locknut Set	173.00
561	N/W-10	Horiz Gear Retainer	10.80
570	34022	Oil Slinger	54.00
+600	74850/550	Upper Bearing-Output	425.00
+601	95925/500	Lower Bearing-Output	655.00
+602	2-6535	Outer Bearing-Horiz	366.00
	2-6580		
+603	22310C	Inner Bearing-Horiz	236.00
+604	6535/6580	Upper Bearing-Interm	183.00
+605	HH421210	Lower Bearing-Interm	649.00
	HH421246		
+802	SH 1712.5	Standard Horiz Oil Seal Set - CR Seal #29384, qty 2	64.20
+815	SV 1712.5	Standard Output Shaft Seal Set - CR Seal #54972, qty 2	128.40
+823	M 313650	Breather Plug	14.40
**+824	SM 1712.5	Brg Shims-Output & Interm Shaft	179.00
+825	GC 1712	Gasket Set - Complete (below S/N 231989)	24.90
	51531		
**+826	*See Ref 824*		
	M AS369	O-ring for D4-21	15.40
	M AS258V	O-ring for D419M	14.70
836	34106	Horizontal Carrier Oil Ring	59.00
910	MK 7501-6	Gear Key-Interm Shaft	12.80
911	911-1713	Gear Key-Horiz Shaft	2.90
912	MK 7498-9	Gear Key-Output Shaft	32.30
913	913-1712.5	Oil Slinger Key	2.90
300	HV 2379	Oil Pump, replaces AG530G	1240.00
303	34025	Oil Pump Drive Plate	271.00
17M	D4-17MR	Bottom Plug-Oil Pump	380.00
		Oil and Paint Net	480.00

+Recommended Spare Parts

MINIMUM ORDER VALUE - \$100.00 NET. REPAIR LABOR - \$95.00/HOUR

**Bearing Shims, Ref 824 Output Shaft & Ref 826 Intermediate Shaft, are now sold as 1 set only

SOME PART NUMBERS DETERMINED BY RATIO AND/OR OPTIONAL FEATURES. ALWAYS PROVIDE SERIAL NUMBER OF DRIVE WHEN ORDERING PARTS FOR VERIFICATION.



**Amarillo
Gear
Company
LLC**

Post Office Box 1789
Amarillo, Texas 79105
2401 Sundown Lane (79118)
Ph. 806 622 1273
Fax 806 622 3258

Prices effective 02/01/2011. Subject to Change without Notice

Model 1713A Parts Price List			
Ref. No.	Part No.	Description	Price
10	D5-10B	Gear Case and	10170.00
12	D5-12	Cover	
11	D5-11	Upper Seal Plate	238.00
15	D5-15	Horiz. Carrier	687.00
16	D5-16A	Horiz. Seal Plate	152.00
17B	D-517BM	Lower Brg Cover-Interm	189.00
17A	D5-17AM	Lower Brg Cover-Output	175.00
18	D4-18	Cover Plate	160.00
19	D5-19	Upper Brg Cover-Interm	216.00
20	D4-20	Oil Slinger Plate	189.00
21	D5-21	Vertical Seal Carrier	335.00
22	D4-22 3.75	Vertical Gear Mount	687.00
	L18B	Inspection Plate	70.10
+100	100	Spiral Bevel Gears, ratios 13, 14, 15, 16, 17	4390.00
+100	100	Spiral Bevel Gears, ratios 11, 15.5, 18, 19, 20	5270.00
200G	399G	Helical Gear	6790.00
+200P	399P	Helical Pinion	2160.00
400	35028	Vertical Output Shaft	2380.00
450	450	Above Gear Spcr-Interm	76.30
451	451	Bet. Gear Spcr-Interm	76.30
452	452	Lower Gear Spcr-Output	127.00
453	453	Under Gear Spcr-Interm	76.30
500	500	Horizontal Shaft	1070.00
550	550	Horiz Inner Brg Spacer	119.00
560	6217	Horiz Brg Locknut Set	173.00
561	N/W-10	Horiz Gear Retainer	10.80
570	34022	Oil Slinger	54.00
+600	M231610/49	Upper Bearing-Output	368.00
+601	99100/550	Lower Bearing-Output	789.00
+602	2-6535	Outer Bearing-Horiz	366.00
	2-6580		
+603	22310C	Inner Bearing-Horiz	236.00
+604	850/32	Upper Bearing-Interm	317.00
+605	HH224310	Lower Bearing-Interm	731.00
	HH224335		
+802	SH 1713	Standard Horiz Oil Seal Set - CR Seal #29384, qty 2	64.20
+815	SV 1713	Standard Output Shaft Seal Set - National Seal #415683	252.00
+823	M 313650	Breather Plug	14.40
**+824	SM 1713	Brg Shims-Output & Interm Shaft	180.00
+825	GC 1713	Gasket Set - Complete (below S/N 231989)	26.10
	51531		
**+826	*See Ref 824*	Loctite Gasket Sealant 2-50ml tubes (S/N 231989 & above)	60.90
	M AS267V	O-ring for D5-21	20.40
	M AS362	O-ring for D5-19	6.30
836	35106	Horizontal Carrier Oil Ring	59.00
910	MK 7501-6	Gear Key-Interm Shaft	12.80
911	911-1713	Gear Key-Horiz Shaft	2.90
912	MK 7498-10	Gear Key-Output Shaft	57.10
913	913-1713	Oil Slinger Key	2.90
300	HV 2379	Oil Pump, replaces AG530G	1240.00
303	35017	Oil Pump Drive Plate	366.00
17M	D5-17M	Bottom Plug-Oil Pump	520.00
		Oil and Paint Net	480.00

+Recommended Spare Parts

MINIMUM ORDER VALUE - \$100.00 NET. REPAIR LABOR - \$95.00/HOUR

**Bearing Shims, Ref 824 Output Shaft & Ref 826 Intermediate Shaft, are now sold as 1 set only

SOME PART NUMBERS DETERMINED BY RATIO AND/OR OPTIONAL FEATURES. ALWAYS PROVIDE SERIAL NUMBER OF DRIVE WHEN ORDERING PARTS FOR VERIFICATION.



Post Office Box 1789
 Amarillo, Texas 79105
 2401 Sundown Lane (79118)
 Ph. 806 622 1273
 Fax 806 622 3258

Prices effective 02/01/2011. Subject to Change without Notice

Model 1814 Parts Price List				
Ref. No.	Part No.	Description	Price	
10	D6-1012	Gear Case and Cover	12180.00	
11	D6-11	Upper Seal Plate	297.00	
15R	D6-15R	Horiz. Inner Bearing Carrier	1060.00	
15T	D6-15T	Horiz. Outer Bearing Carrier	874.00	
16	D6-16	Horiz. Oil Seal Plate	281.00	
17B	D6-17B	Bottom Plug-Intermediate	331.00	
17A	D6-43	Outer Bearing Carrier	1021.00	
18	D6-18	Oil Pocket Cover Plate	266.00	
19	D6-19	Upper Brg Cover-Interm	479.00	
---	L18B	Inspection Plate	70.10	
20	D4-20 3.5	Oil Slinger Plate	189.00	
21	D6-21	Vertical Seal Carrier	684.00	
22	D6-22	Vertical Gear Mount	907.00	
+100	100	Spiral Bevel Gears	6190.00	
200G	578G	Helical Gear	10060.00	
+200P	578P	Helical Pinion	2860.00	
400	36028	Vertical Output Shaft	2960.00	
450	450	Above Gear Spcr-Interm	262.00	
451	451	Bet. Gear Spcr-Interm	262.00	
452	452	Lower Gear Spcr-Output	206.00	
453	453	Under Gear Spcr-Interm	142.00	
560	6217	Horiz Brg Locknut Set	173.00	
561	12148	Inner Bearing Retainer	337.00	
570	36014	Oil Slinger	68.40	
+600	67720/67790	Upper Bearing-Output	559.00	
+601	N232	Lower Radial Bearing-Output	2610.00	
+602	98788/98350	Outer Bearing-Horiz (2)	1204.00	
+603	22310C	Inner Bearing-Horiz	236.00	
+604	932/941	Upper Bearing-Interm	571.00	
+605	HH923610/49	Lower Bearing-Interm	1782.00	
+606	29326	Lower Thrust Bearing - Output	1980.00	
+802	SH 1814	Standard Horiz Oil Seal Set - CR Seal #31189, qty 2	68.60	
+815	SV 1814	Standard Vertical Oil Seal Set - CR Seal #70052, qty 2	268.00	
+823	M 313650	Breather Plug	14.40	
**	+824	Brg Shims-Output & Interm Shaft	222.00	
	+825	Gasket Set - Complete (below S/N 231989)	9.40	
		51531	Loctite Gasket Sealant 2-50ml tubes (S/N 231989 & above)	60.90
**	+826	*See Ref 824*		
	835	9-1604-21	Pre-Load Springs (8)	59.90
	+828	M AS379	O-Ring Vertical Seal Carrier	15.40
	+829	M AS376	O-Ring Interm Upper Brg Carrier	12.60
	+830	M AS456	O-Ring Horz Inner Brg Carrier	24.90
	+831	M AS276	O-Ring Horz Outer Brg Carrier	18.30
	+832	M AS170	O-Ring Oil Seal Plate	13.80
	+833	M AS367	O-Ring Interm Lower Brg Cover	9.40
	+834	M AS381	O-Ring Thrust Brg Carrier	19.20
	910	MK 7498-11	Gear Key-Interm Shaft	22.30
	912	MK 7501-4	Gear Key-Output Shaft	62.20
	913	MK 8	Oil Slinger Key	1.80
	300	HV 2379	Oil Pump, replaces AG530G	1240.00
	303	36015	Oil Pump Drive Plate	372.00
	17M	D6-17BM	Bottom Plug-Oil Pump	558.00
			Oil and Paint Net	645.70

+Recommended Spare Parts

MINIMUM ORDER VALUE - \$100.00 NET. REPAIR LABOR - \$95.00/HOUR

**Bearing Shims, Ref 824 Output Shaft & Ref 826 Intermediate Shaft, are now sold as 1 set only

SOME PART NUMBERS DETERMINED BY RATIO AND/OR OPTIONAL FEATURES. ALWAYS PROVIDE SERIAL NUMBER OF DRIVE WHEN ORDERING PARTS FOR VERIFICATION.



Prices effective 02/01/2011. Subject to Change without Notice

Model A32 Parts Price List

Ref. No.	Part No.	Description	Price	
10	MD3-10	Gear Case and	5360.00	
12	D3-12	Cover		
11	MD3-11	Upper Seal Plate	216.00	
15	MD3-15	Horiz. Carrier	695.00	
16	D3-16A	Horiz. Seal Plate	103.00	
18	D2-18	Cover Plate	152.00	
19	D3-19	Upper Brg Cover-Interm	174.00	
20	33018	Oil Slinger Plate	279.00	
21	D3-21	Vertical Seal Carrier	267.00	
22	D3-22	Vertical Gear Mount	529.00	
---	L18B	Inspection Plate	70.10	
100+	100	Spiral Bevel Gears	3330.00	
200G	398G	Helical Gears	3780.00	
200P	398P	Helical Pinion	1270.00	
400	37008	Vertical Output Shaft	1380.00	
450	450	Above Gear Spcr-Interm	56.40	
451	451	Bet. Gear Spcr-Interm	56.40	
452	452	Lower Gear Spcr-Output	101.00	
453	453	Lower Gear Spcr-Interm	56.40	
---	N/A	Between Helical Spcr		
500	500	Horizontal Shaft	859.00	
560	5237	Horiz Brg Locknut Set	77.60	
570	32025	Oil Slinger	52.60	
600+	48220/290	Upper Bearing-Output	204.00	
601+	71750/425	Lower Bearing-Output	384.00	
602+	JLM710910/49	Outer Bearing-Horiz	64.40	
603+	H414210/49	Inner Bearing-Horiz	128.00	
604+	742/749	Upper Bearing-Interm	214.60	
605+	HH221410/30	Lower Bearing-Interm	487.00	
802+	SH A32	Standard Horiz Oil Seal Set - CR Seal #24370, qty 2	38.00	
815+	SV A32	Standard Output Shaft Seal Set - CR Seal #49928, qty 2	91.60	
823	M313650	Breather Plug	14.40	
**	824+	SM A32	Brg Shims-Output & Interm Shaft	160.00
	825+	G A32	Gasket Set (below S/N 231989)	12.50
		51531	Loctite Gasket Sealant 2-50ml tubes (S/N 231989 & above)	60.90
**	826+	*See Ref 824*		
	910	910-A32	Gear Key-Interm Shaft	2.90
	911	911-A32	Gear Key-Horiz Shaft	1.10
	912	MK 7498-8	Gear Key-Output Shaft	13.00
	913	913-A32	Oil Slinger Key	1.80
---	P1022-6	Oil Sight Gauge	25.90	
---+	M AS255	Upper Brg. Cover O-ring	5.00	
---+	M AS364	Vert. Seal Carr. O-ring	6.10	
---	37015	Hub Retainer Plate	52.80	
---	N/A	Brg. Adjustment Plate		
---	N/A	Snap Ring		
---		Oil and Paint Net	280.00	

+Recommended Spare Parts

MINIMUM ORDER VALUE - \$100.00 NET. REPAIR LABOR - \$95.00/HOUR

**Bearing Shims, Ref 824 Output Shaft & Ref 826 Intermediate Shaft, are now sold as 1 set only

SOME PART NUMBERS DETERMINED BY RATIO AND/OR OPTIONAL FEATURES. ALWAYS PROVIDE SERIAL NUMBER OF DRIVE WHEN ORDERING PARTS FOR VERIFICATION.



Prices effective 02/01/2011. Subject to Change without Notice

Model A34 Parts Price List

Ref. No.	Part No.	Description	Price	
10	MD4-10	Gear Case and	8690.00	
12	D4-12	Cover		
11	D4-11	Upper Seal Plate	213.00	
15	D4-13	Horiz. Carrier	839.00	
16	D5-16A	Horiz. Seal Plate	152.00	
18	D4-18	Cover Plate	160.00	
19	D4-19M	Upper Brg Cover-Interm	183.00	
20	D4-20	Oil Slinger Plate	189.00	
21	D4-21	Vertical Seal Carrier	331.00	
22	D4-22 3.75	Vertical Gear Mount	687.00	
---	L18B	Inspection Plate	70.10	
100+	100	Spiral Bevel Gears	4540.00	
100+	100	Spiral Bevel Gears	0.00	
200G	387G	Helical Gears	5510.00	
200P	387P	Helical Pinion	1840.00	
400	38006	Vertical Output Shaft	2560.00	
450	450	Above Gear Spcr-Interm	63.80	
451	451	Bet. Gear Spcr-Interm	63.80	
452	452	Lower Gear Spcr-Output	110.00	
453	453	Lower Gear Spcr-Interm	63.80	
---	N/A	Between Helical Spcr		
500	500	Horizontal Shaft	1280.00	
560	6217	Horiz Brg Locknut Set	173.00	
570	34022	Oil Slinger	54.00	
600+	74850/550	Upper Bearing-Output	425.00	
601+	95925/500	Lower Bearing-Output	655.00	
602+	742/9	Outer Bearing-Horiz	214.60	
603+	98788/350	Inner Bearing-Horiz	602.00	
604+	6535/6580	Upper Bearing-Interm	183.00	
605+	HH421210/46	Lower Bearing-Interm	649.00	
802+	SH A34	Standard Horiz Oil Seal Set - CR Seal #29384, qty 2	64.20	
815+	SV A34	Standard Output Shaft Seal Set - CR Seal #54972, qty 2	128.40	
823	M313650	Breather Plug	14.40	
**	824+	SM A34	Brg Shims-Output & Interm Shaft	179.00
	825+	G A34	Gasket Set (below S/N 231989)	14.20
		51531	Loctite Gasket Sealant 2-50ml tubes (S/N 231989 & above)	60.90
**	826+	*See Ref 824*		
	910	MK 7501-6	Gear Key-Interm Shaft	12.80
	911	MK 7498-4	Gear Key-Horiz Shaft	6.10
	912	MK 7498-9	Gear Key-Output Shaft	32.30
	913	MK23	Oil Slinger Key	3.00
	---	P1022-6	Oil Sight Gauge	25.90
	---+	AS258V	Upper Brg. Cover O-ring	14.70
	---+	AS369	Vert. Seal Carr. O-ring	15.40
	---	37015.00	Hub Retainer Plate	52.80
	---	N/A	Brg. Adjustment Plate	
	---	N/A	Snap Ring	
	---	Oil and Paint	Net	440.00

+Recommended Spare Parts

MINIMUM ORDER VALUE - \$100.00 NET. REPAIR LABOR - \$95.00/HOUR

**Bearing Shims, Ref 824 Output Shaft & Ref 826 Intermediate Shaft, are now sold as 1 set only

SOME PART NUMBERS DETERMINED BY RATIO AND/OR OPTIONAL FEATURES. ALWAYS PROVIDE SERIAL NUMBER OF DRIVE WHEN ORDERING PARTS FOR VERIFICATION.



Prices effective 02/01/2011. Subject to Change without Notice

Model A36 & A38 Parts Price List

Ref. No.	Part No.	Description	Price	
10	MD4-10	Gear Case and	8690.00	
12	D4-12	Cover		
11	34084	Upper Seal Plate	603.00	
15	D4-13	Horiz. Carrier	839.00	
16	D5-16A	Horiz. Seal Plate	152.00	
18	D4-18	Cover Plate	160.00	
19	D4-19M	Upper Brg Cover-Interm	183.00	
20	D4-20	Oil Slinger Plate	189.00	
21	34085	Vertical Seal Carrier	821.00	
22	D4-22 3.75	Vertical Gear Mount	687.00	
---	L18B	Inspection Plate	70.10	
100+	100	Spiral Bevel Gears for Model A36	7340.00	
100+	100	Spiral Bevel Gears for Model A38	7900.00	
200G	387G	Helical Gears	5510.00	
200P	387P	Helical Pinion	1840.00	
400	34083	Vertical Output Shaft	2560.00	
450	450	Above Gear Spcr-Interm	63.80	
451	451	Bet. Gear Spcr-Interm	63.80	
452	452	Lower Gear Spcr-Output	110.00	
453	453	Lower Gear Spcr-Interm	63.80	
---	XF-A36	Between Helical Spcr	280.00	
500	500	Horizontal Shaft	942.00	
560	6217	Horiz Brg Locknut Set	173.00	
570	34022	Oil Slinger	54.00	
600+	74850/550	Upper Bearing-Output	425.00	
601+	95925/500	Lower Bearing-Output	655.00	
602+	742/9	Outer Bearing-Horiz	214.60	
603+	98788/350	Inner Bearing-Horiz	602.00	
604+	6535/6580	Upper Bearing-Interm	183.00	
605+	HH421210/46	Lower Bearing-Interm	649.00	
802+	SH A36	Standard Horiz Oil Seal Set - CR Seal #29384, qty 2	64.20	
815+	SV A36	Standard Output Shaft Seal Set - CR Seal #64994, qty 2	176.00	
823	M313650	Breather Plug	14.40	
**	824+	SM A36	Brg Shims-Output & Interm Shaft	179.00
	825+	G A36	Gasket Set (below S/N 231989)	14.20
		51531	Loctite Gasket Sealant 2-50ml tubes (S/N 231989 & above)	60.90
**	826+	*See Ref 824*		
	910	910-A36	Gear Key-Interm Shaft	13.20
	911	911-A36	Gear Key-Horiz Shaft	19.20
	912	912-A36	Gear Key-Output Shaft	33.30
	913	913-A36	Oil Slinger Key	3.00
	---	P1022-6	Oil Sight Gauge	25.90
	---+	M AS258V	Upper Brg. Cover O-ring	14.70
	---+	M AS267V	Vert. Seal Carr. O-ring	20.40
	---	34088	Hub Retainer Plate	271.00
	---	34086	Brg. Adjustment Ring	438.00
	---	3100-650	Snap Ring	88.80
	---		Oil and Paint Net	440.00

+Recommended Spare Parts

MINIMUM ORDER VALUE - \$100.00 NET. REPAIR LABOR - \$95.00/HOUR

**Bearing Shims, Ref 824 Output Shaft & Ref 826 Intermediate Shaft, are now sold as 1 set only

SOME PART NUMBERS DETERMINED BY RATIO AND/OR OPTIONAL FEATURES. ALWAYS PROVIDE SERIAL NUMBER OF DRIVE WHEN ORDERING PARTS FOR VERIFICATION.