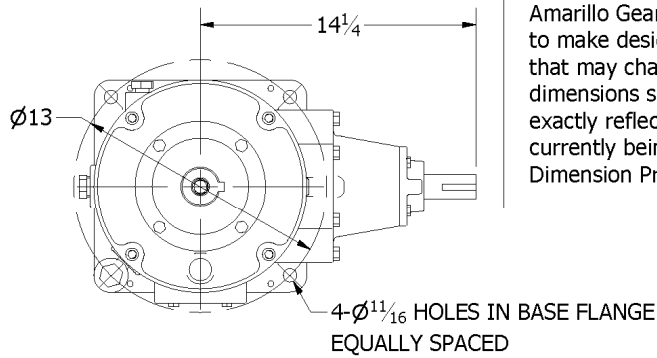
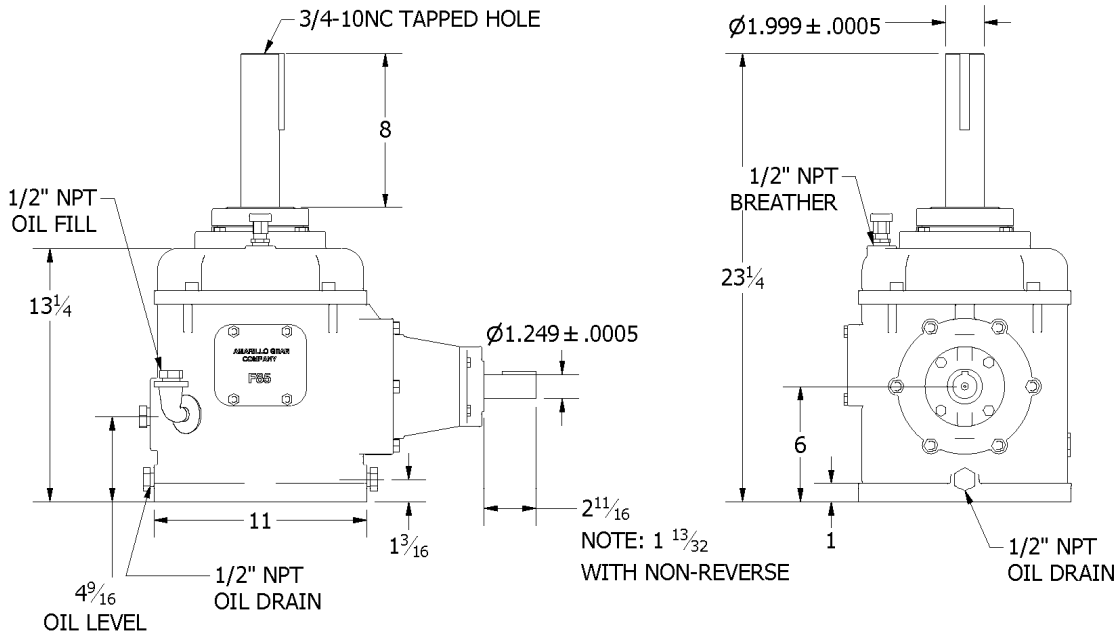


Amarillo Series Model 85 Fan Drive



Amarillo Gear Company LLC reserves the right to make design modifications to our gear drives that may change the given dimensions. The dimensions shown in this document may not exactly reflect the dimensions of gear drives currently being offered. Request a Certified Dimension Print for construction use.

HORIZONTAL KEYWAY: 5/16 X 5/32
 VERTICAL KEYWAY: 1/2 X 1/4
 NORMAL ROTATION: BOTH SHAFTS CLOCKWISE



Amarillo Series Model 85 Fan Drive

Ratings:

Service Horsepower Ratings (HP) at (Service Factor = 2.0)													
Input(RPM)	Nominal Ratio												
	3.0	3.25	3.5	3.75	4.0	4.25	4.5	4.75	5.0	5.5	6.0	6.5	7.0
1750	45	43	39	36	33	32	28	27	25	20	18	15	15
1450	37	36	32	30	27	26	23	22	21	17	15	12	12
1160	30	29	26	24	22	21	19	18	17	13	12	10	10

Thrust:

Vertical Shaft Down Thrust Capacity: 1750 lbs.

Oil Capacity:

ISO Grade 220/ AGMA Lubricant Number 5 or 5S. Extreme Pressure additives are not recommended.

Capacity: 1 Gallon/4 Liters

Weight:

Domestic Shipping Weight: 215 lbs.

Weight with Export Boxing: 245 lbs.

Shipping Info:

Export Box Dimensions (L x W x H): 27in x 15in x 27in.