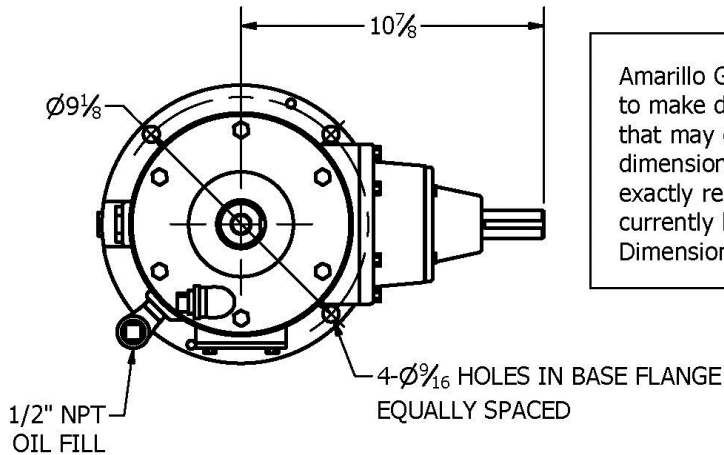
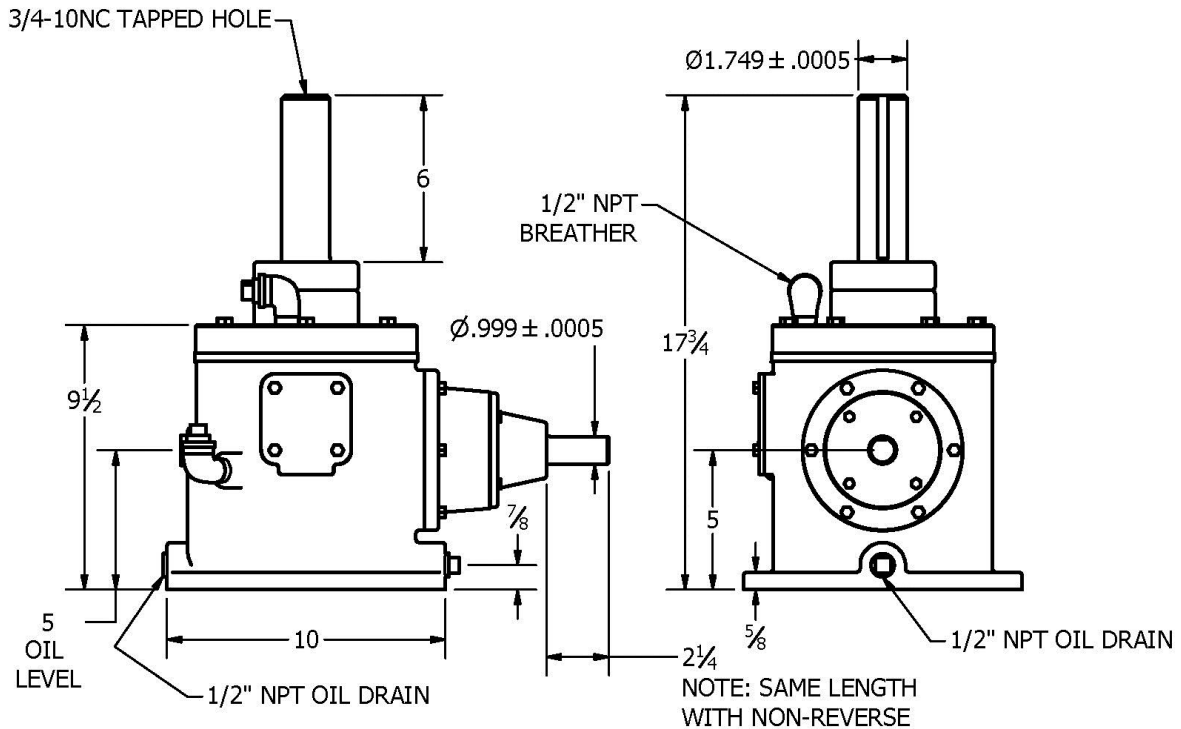


## Amarillo Series Model 65A Fan Drive



Amarillo Gear Company LLC reserves the right to make design modifications to our gear drives that may change the given dimensions. The dimensions shown in this document may not exactly reflect the dimensions of gear drives currently being offered. Request a Certified Dimension Print for construction use.

HORIZONTAL KEYWAY: 1/4 X 1/8  
 VERTICAL KEYWAY: 3/8 X 3/16  
 NORMAL ROTATION: BOTH SHAFTS CLOCKWISE



## **Amarillo Series Model 65A Fan Drive**

### **Ratings:**

<b>Input(RPM)</b>	2.0	2.5	3.0	3.25	3.5	4.0	4.5	5.0
1750	25	25	20	18	17	15	12	10
1450	21	21	17	15	14	12	10	8
1160	17	17	13	12	11	10	8	7

### **Thrust:**

Vertical Shaft Down Thrust Capacity: 1500 lbs.

### **Oil Capacity:**

ISO Grade 220/ AGMA Lubricant Number 5 or 5S. Extreme Pressure additives are not recommended.

Capacity: .5 Gallon/2 Liters.

### **Weight:**

Domestic Shipping Weight: 100 lbs.

Weight with Export Boxing: 135 lbs.

### **Shipping Info:**

Export Box Dimensions (L x W x H): 22in x 14in x 21in.