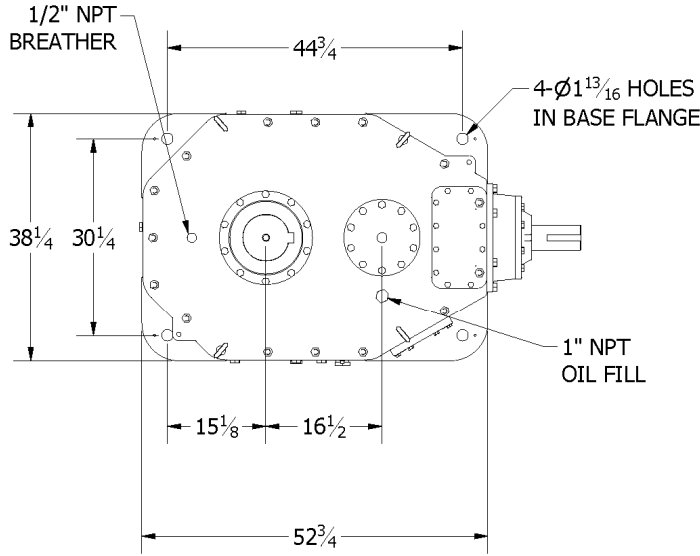
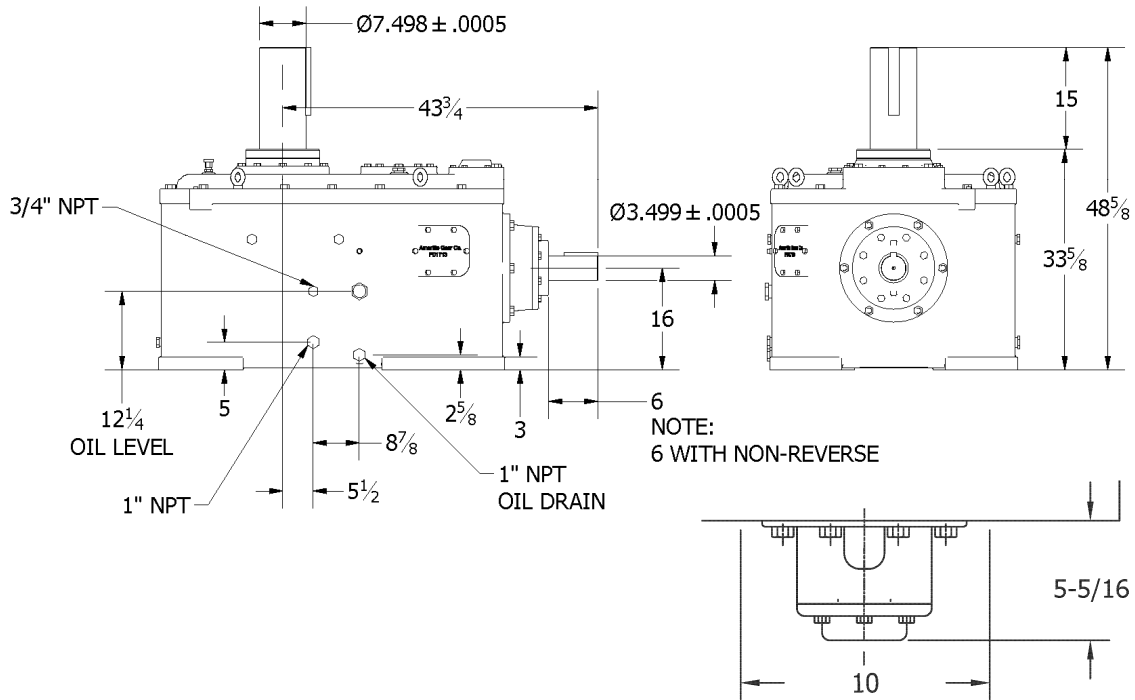


Amarillo Series Model 2016 Fan Drive



HORIZONTAL KEYWAY: 7/8 x 7/16
 VERTICAL KEYWAY: 1 3/4 x 7/8
 NORMAL ROTATION: BOTH SHAFTS CLOCKWISE

Amarillo Gear Company LLC reserves the right to make design modifications to our gear drives that may change the given dimensions. The dimensions shown in this document may not exactly reflect the dimensions of gear drives currently being offered. Request a Certified Dimension Print for construction use.



OPTIONAL OIL PUMP

*MINIMUM CLEARANCE

*OPTIONAL OIL PUMP IS POSITIONED UNDER THE INTERMEDIATE SHAFT. CONTACT FACTORY FOR ADDITIONAL INFORMATION & CERTIFIED DIMENSIONAL DRAWING.

Revised: 7/7/11

Amarillo Series Model 2016 Fan Drive

Ratings:

Service Horsepower Ratings (HP) at (Service Factor = 2.0)									
Input(RPM)	Nominal Ratio								
	13	14	15	15.5	16	17	18	19	20
1750	500	480	460	454	440	420	400	380	360
1450	414	398	381	376	365	348	331	315	298
1160	331	318	305	301	292	278	265	252	239

Thrust:

Vertical Shaft Down Thrust Capacity: 17000 lbs.

Oil Capacity:

ISO Grade 220/ AGMA Lubricant Number 5 or 5S. Extreme Pressure additives are not recommended.

Capacity: 53 Gallons/201 Liters.

Weight:

Domestic Shipping Weight: 6690 lbs.

Weight with Export Boxing: 6970 lbs.

Shipping Info:

Export Box Dimensions (L x W x H): 70in x 46in x 55in.