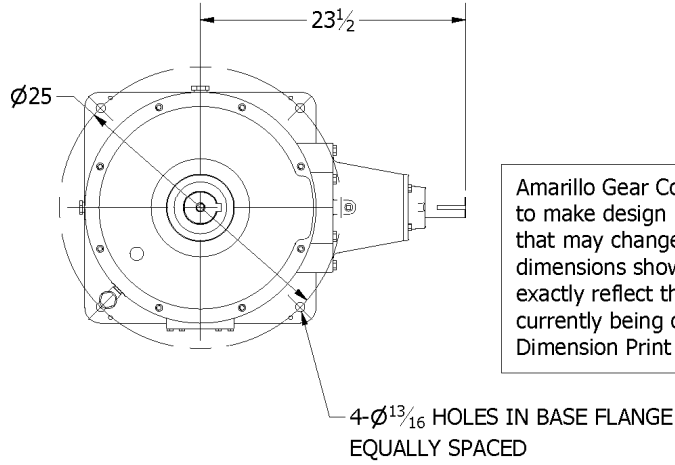
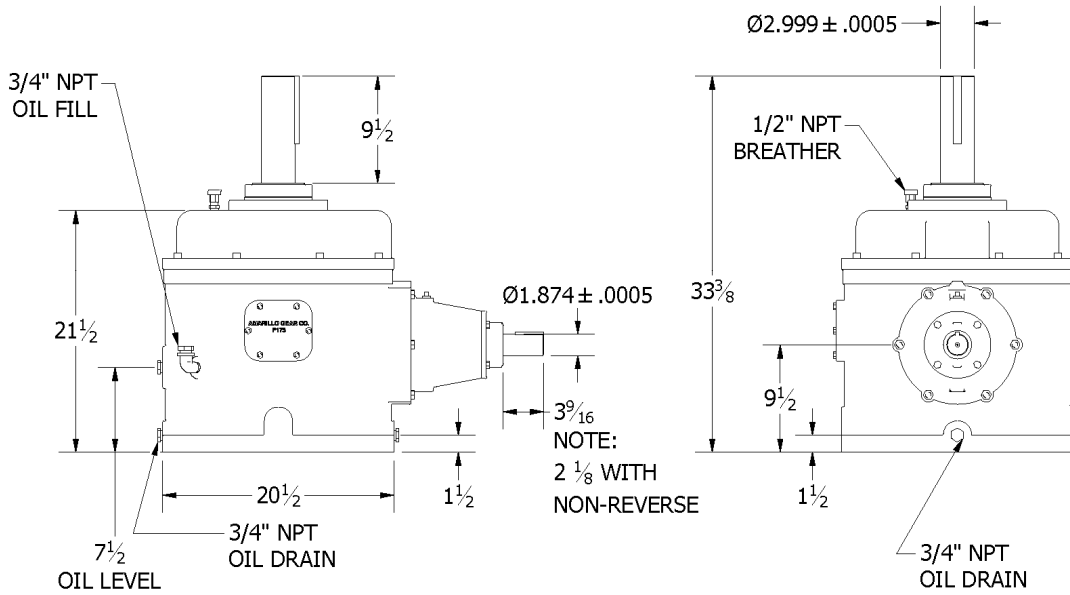


Amarillo Series Model 175 Fan Drive



Amarillo Gear Company LLC reserves the right to make design modifications to our gear drives that may change the given dimensions. The dimensions shown in this document may not exactly reflect the dimensions of gear drives currently being offered. Request a Certified Dimension Print for construction use.

HORIZONTAL KEYWAY: $\frac{3}{8} \times \frac{3}{16}$
 VERTICAL KEYWAY: $\frac{3}{4} \times \frac{3}{8}$
 NORMAL ROTATION: BOTH SHAFTS CLOCKWISE



Amarillo Series Model 175 Fan Drive

Ratings:

Service Horsepower Ratings (HP) at (Service Factor = 2.0)									
Input(RPM)	Nominal Ratio								
	5.5	6.0	6.5	7.0	7.5	8.0	8.5	9.0	9.5
1750	126	112	105	100	80	60	60	60	50
1450	104	92	87	83	66	50	50	50	41
1160	84	74	70	66	53	40	40	40	33

Thrust:

Vertical Shaft Down Thrust Capacity: 5150 lbs.

Oil Capacity:

ISO Grade 220/ AGMA Lubricant Number 5 or 5S. Extreme Pressure additives are not recommended.

Capacity: 5.5 Gallons/21 Liters

Weight:

Domestic Shipping Weight: 855 lbs.

Weight with Export Boxing: 940 lbs.

Shipping Info:

Export Box Dimensions (L x W x H): 40in x 27in x 41in.