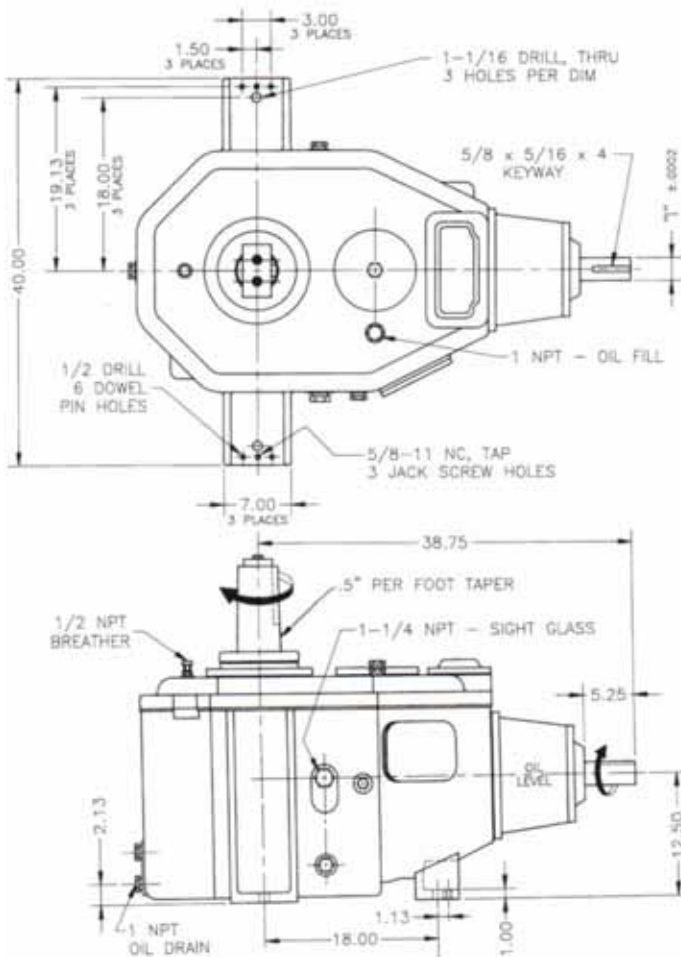
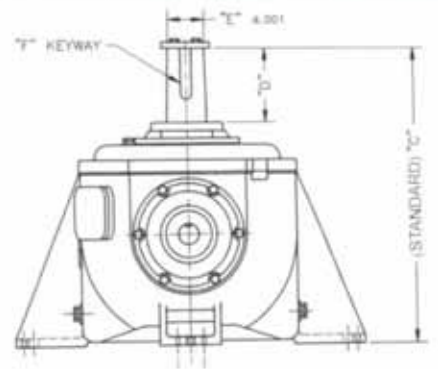


"A" Series Model A38 Fan Drive



Amarillo Gear Company LLC reserves the right to make design modifications to our gear drives that may change the given dimensions. The dimensions shown in this document may not exactly reflect the dimensions of gear drives currently being offered. Request a Certified Dimension Print for construction use.



"C"	"D"	"E"	"F" Keyway	"I"
33.94	7.88	6.227	1 1/2 x 3/4 x 7	2.625

Ratings:

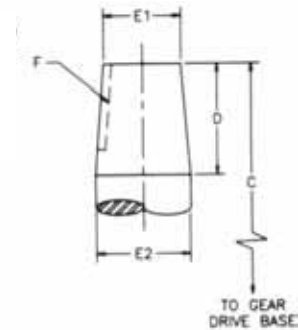
Input RPM	Gear Ratio	Fan RPM	Service HP Rating (2.0 Service Factor)
1750	11.44	153	250
1750	12.98	135	250

"A" Series Model A38 Fan Drive

Tapered Output Shaft Information:

All AMARILLO "A" Series right angle cooling tower drives will be furnished with the STANDARD output shaft noted in the drawings in this document. On occasion, the gear replaced may have a different output shaft than STANDARD as shown. Amarillo Gear Company can provide a matching output shaft when the following information (or shaft drawing) is provided.

Length of taper (D) _____
Small end diameter (E1) _____
Large end diameter (E2) _____
Keyway size (F) _____
Keyway parallel to centerline or taper _____
Overall Height (C) _____



Oil Capacity:

ISO Grade 220/ AGMA Lubricant Number 5 or 5S. Extreme Pressure additives are not recommended.

Capacity: 21 Gallons/79 Liters.

Weight:

Domestic Shipping Weight: 2300 lbs.

Weight with Export Boxing: 2480 lbs.

Shipping Info:

Export Box Dimensions (L x W x H): 58in x 46in x 40in.